

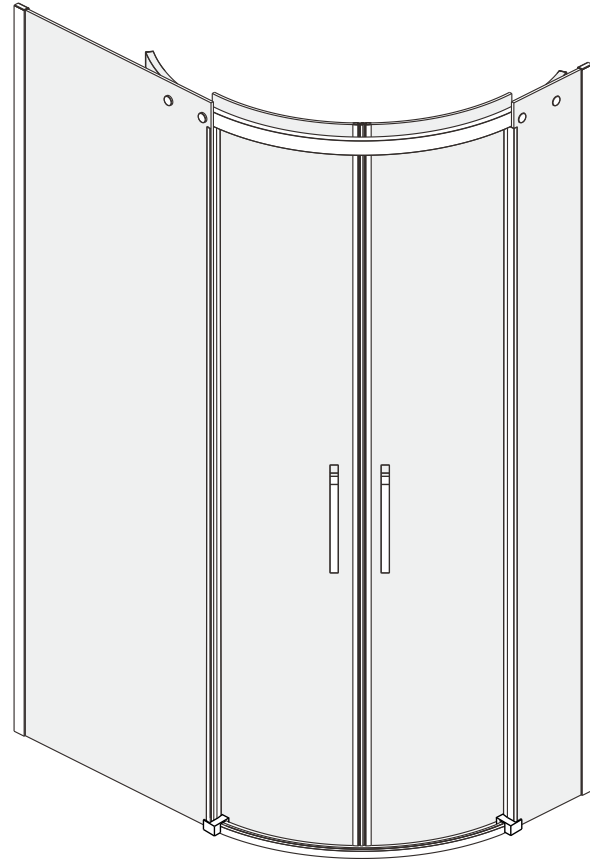
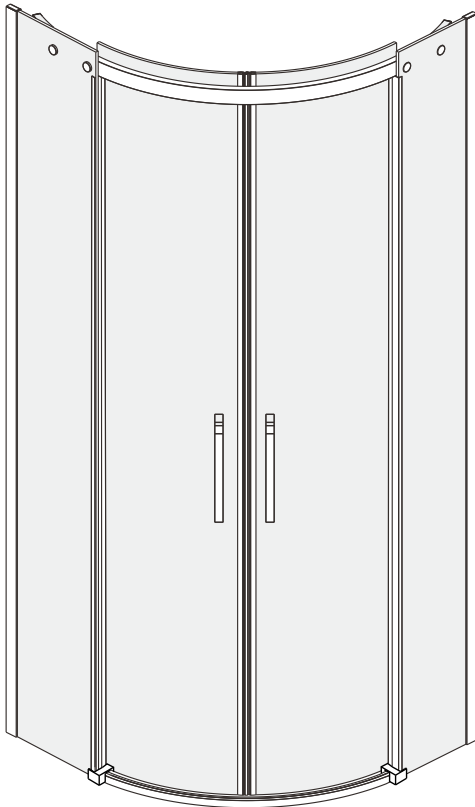
# USER MANUAL



Thank you for choosing Better Bathrooms.  
Please read this manual before installing your product  
and keep for future reference.

**better  
bathrooms**

**PRODUCT NAME-AQUILA FRAMELESS  
SLIDING QUADRANT & OFFSET DOOR  
PRODUCT CODE-BEBA\_27235~BEBA\_27250  
BEBA\_27971~BEBA\_27986**



- **Multi or Single-person assembly**
- **Tools required**
- **We always recommend using professional tradespeople to install your product**

# **Congratulations on your purchase**

*And welcome to our growing gang of savvy shoppers*

We're on a mission to bring you extraordinary bathroom products, for less. From modern to traditional style ceramics, plus the gorgeous fixtures, fittings and furniture to match. So, you can fall in love with your space every single day.

As one of the UK's largest independent bathroom stores, we've received countless awards; including the National Business Awards UK, the Digital Entrepreneur Awards and being placed on The Sunday Times Fast Track 100.

We hope your new product goes above and beyond your expectations. However, should any problems occur, please:

- log in to your account and contact our customer services team via your self-serve portal – [betterbathrooms.com/CustomerAccount/Login](https://betterbathrooms.com/CustomerAccount/Login)
- contact us via [betterbathrooms.com/content/contact-us](https://betterbathrooms.com/content/contact-us)

## **Important information**

- Please read these instructions thoroughly and retain for future reference
- Always check for pipes and cables before drilling

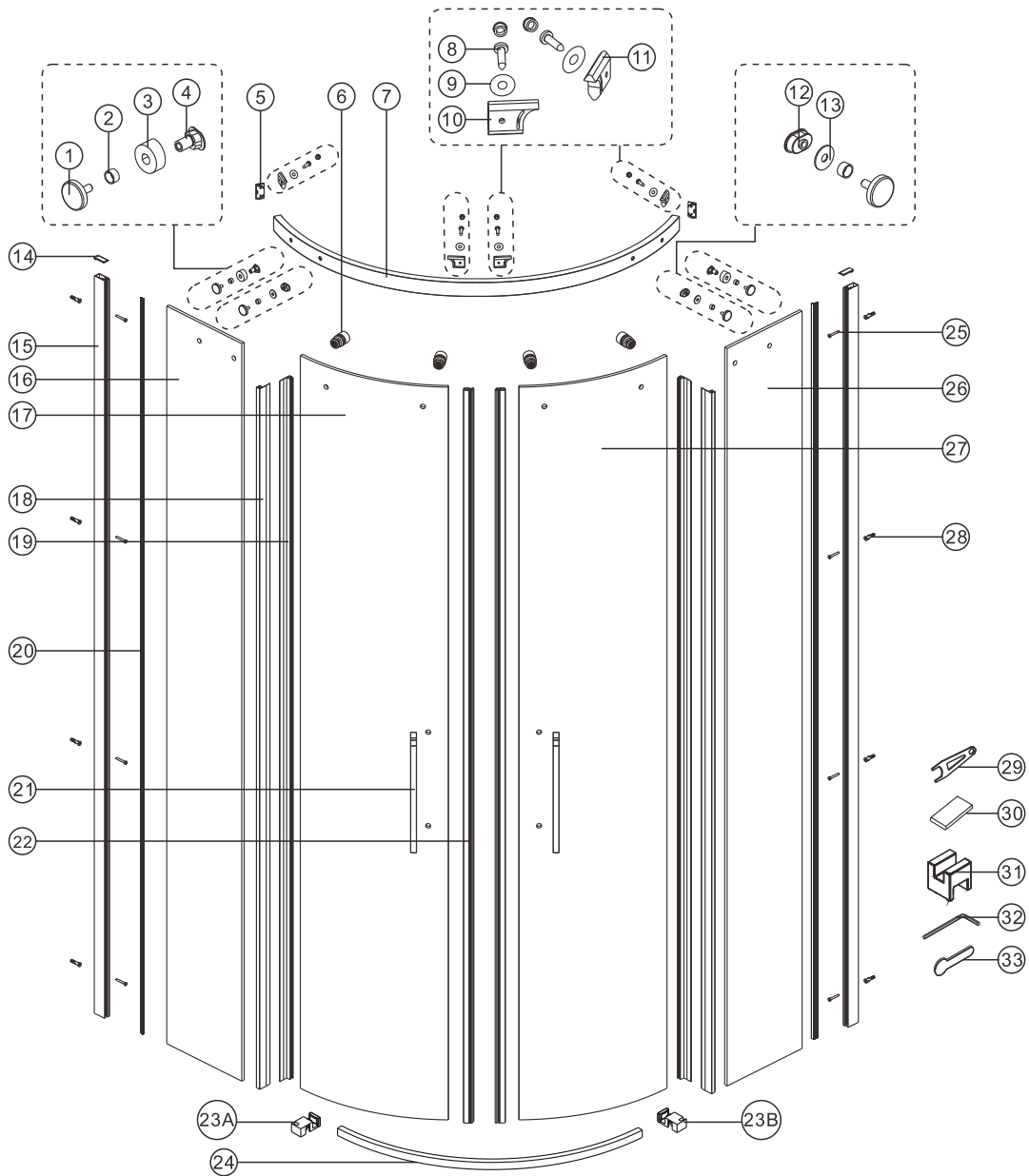
## **CAUTION**

- To prevent leaks, silicone must be applied on the outside of the shower and not on the inside
- Read all instruction carefully before starting the installation
- Save this manual for future reference

# Contents

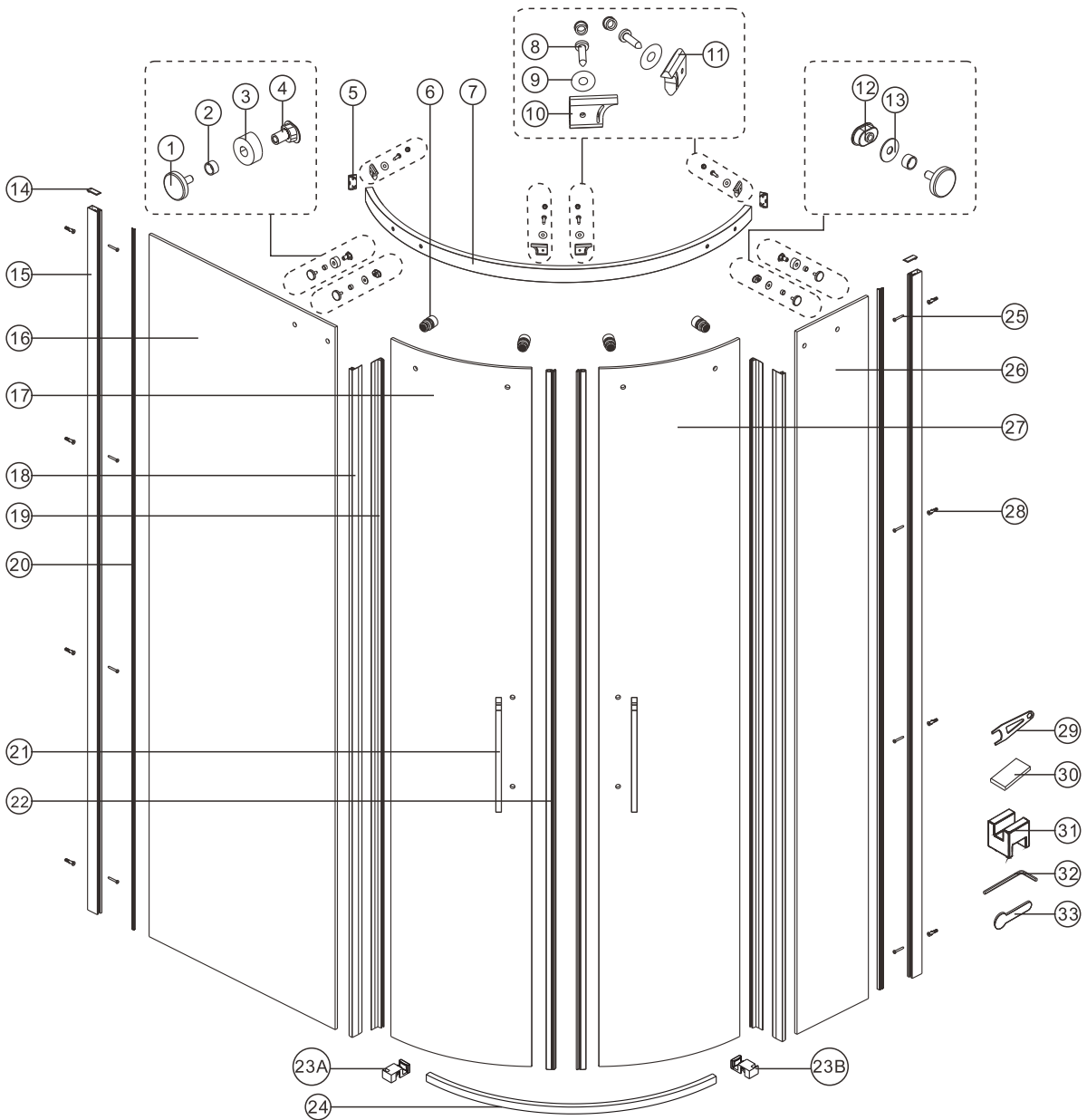
- PART LIST-----	PAGE 04-05
- PREPARATION & TOOL REQUIRED-----	PAGE 06
- INSTALLATION-----	PAGE 07
- CONTINUE-----	PAGE 08

# PARTS LIST



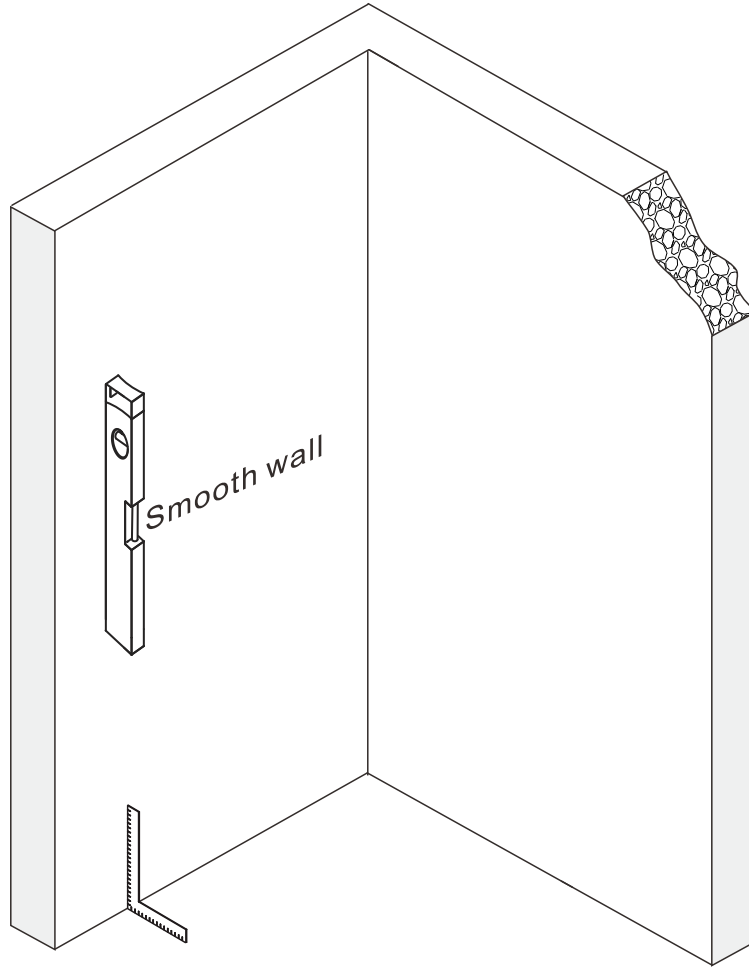
1 4X	2 4X	3 2X	4 2X	5 2X	6 4X	7 1X
8 4X ST 4X8	9 4X	10 2X	11 2X	12 2X	13 2X	14 2X
15 2X	16 1X	17 1X	18 2X	19 2X	20 2X	21 2X
22 2X	23A 1X	23B 1X	24 1X	25 8X ST 4X40	26 1X	27 1X
28 8X	29 2X	30 5X	31 2X	32 3X	33 1X	

# PARTS LIST

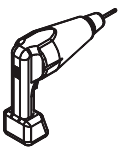


1 4X	2 4X	3 2X	4 2X	5 2X	6 4X	7 1X
8 4X ST 4X8	9 4X	10 2X	11 2X	12 2X	13 2X	14 2X
15 2X	16 1X	17 1X	18 2X	19 2X	20 2X	21 2X
22 2X	23A 1X	23B 1X	24 1X	25 8X ST 4X40	26 1X	27 1X
28 8X	29 2X	30 5X	31 2X	32 3X	33 1X	

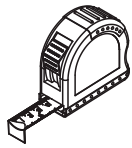
# Preparation



# Tools required



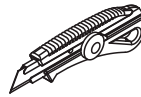
DRILL



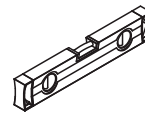
MEASURING TAPE



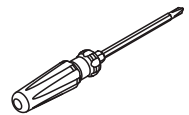
SILICONE



PRECISION KNIFE



LEVEL



SCREWDR



MALLET



SET SQUARE



PENCIL



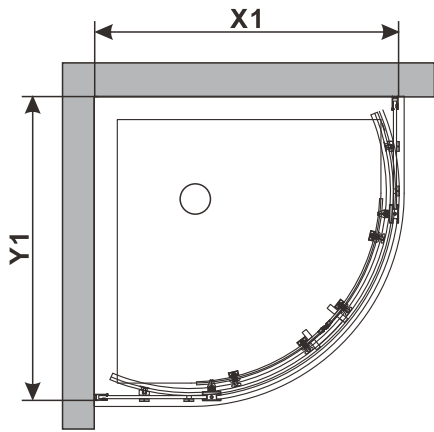
DRILL BITS: 1/8", 3/16" ET 1/4"  
\*MASONRY DRILL BIT



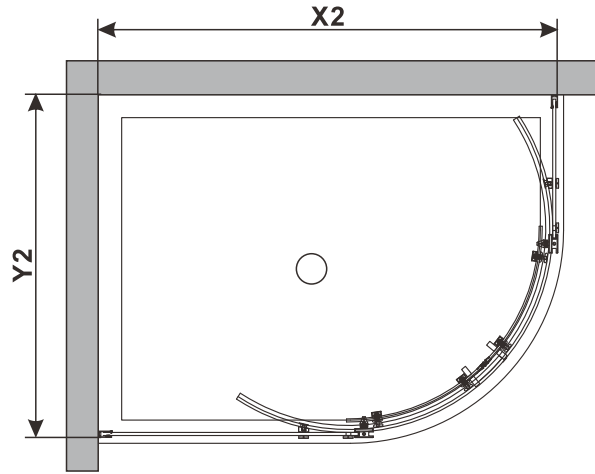
SCREWS

# Installation

**A** 01



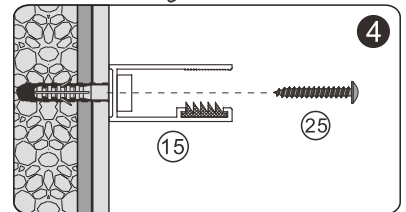
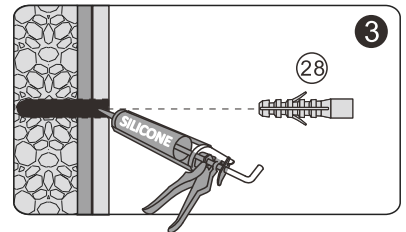
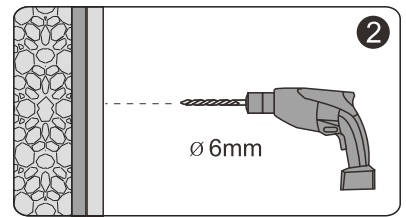
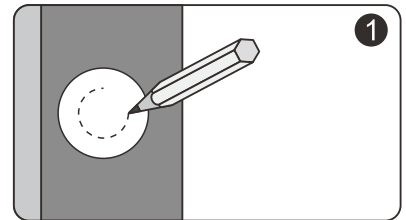
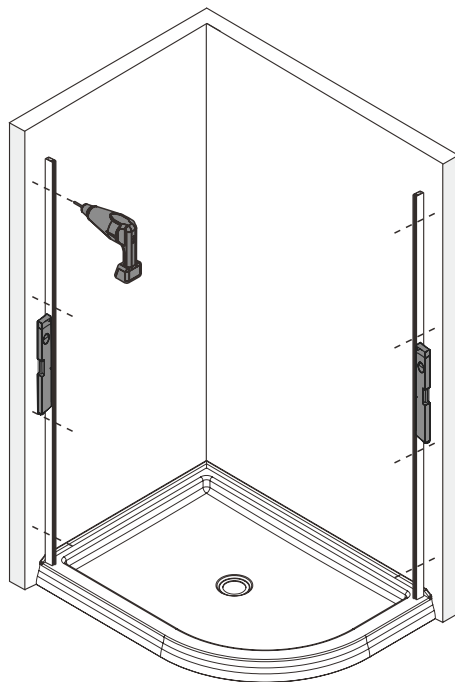
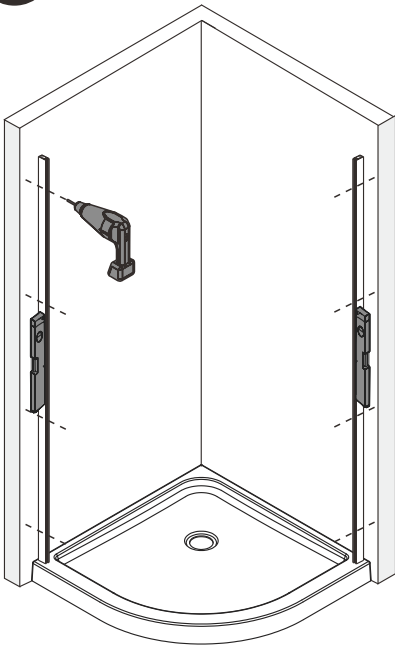
SIZE	X1,mm	Y1,mm
800	778-790	778-790
900	878-890	878-890
1000	978-990	978-990



SIZE	X2,mm	SIZE	Y2,mm
900	878-890	760	738-750
1000	978-990	800	778-790
1200	1178-1190	800	778-790
1000	978-990	900	878-890
1200	1178-1190	900	878-890

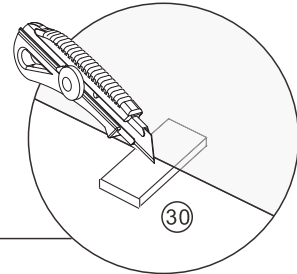
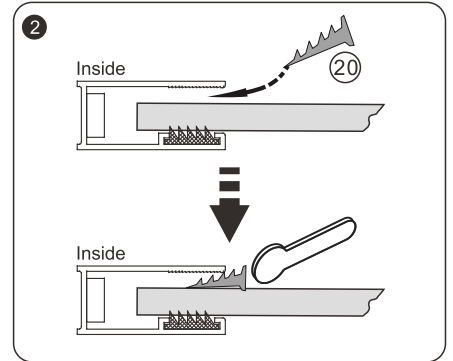
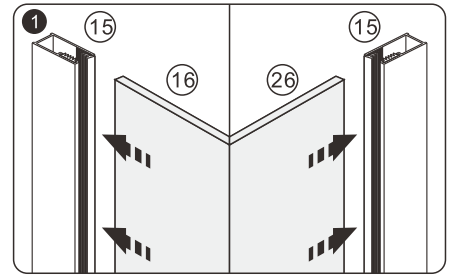
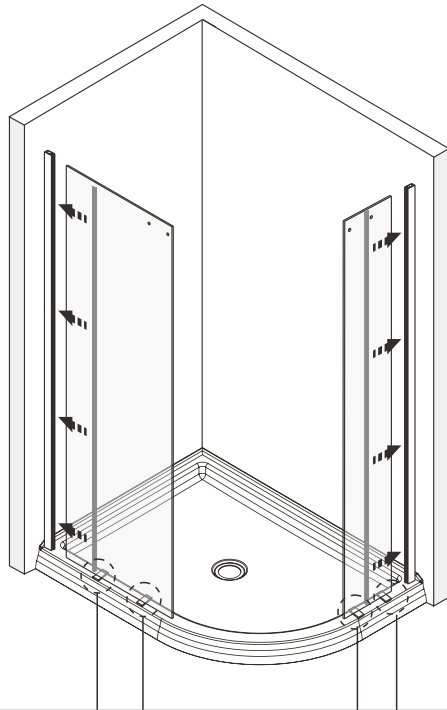
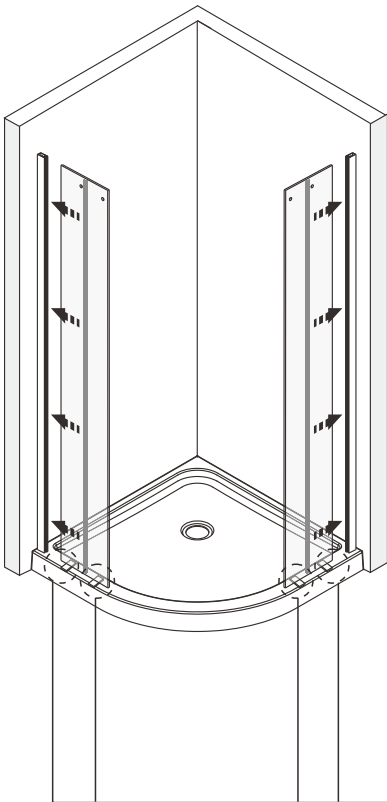
# Continue

**A** 02



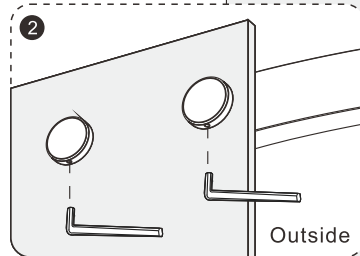
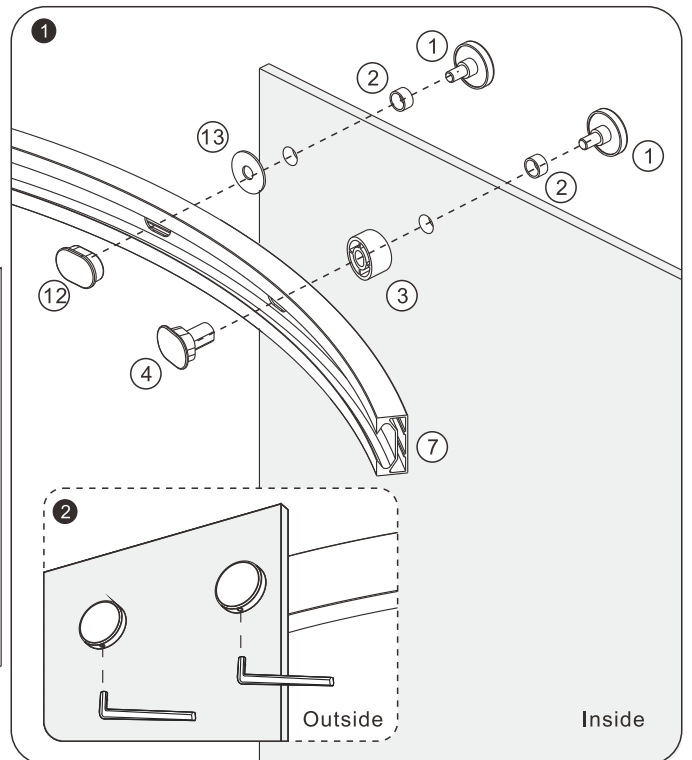
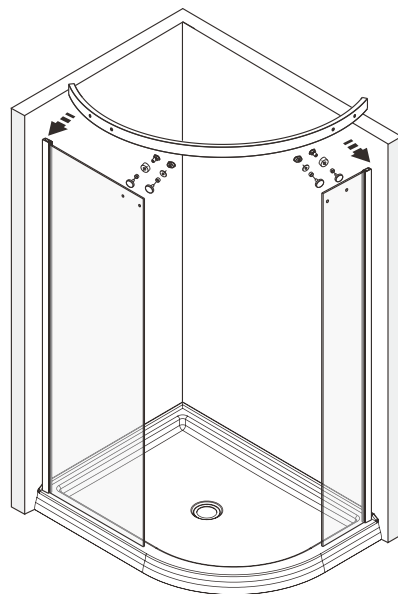
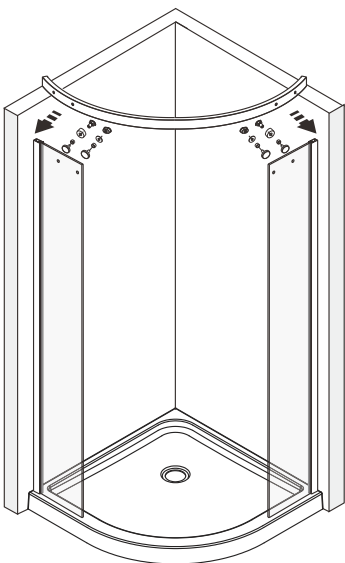
# Continue

**A** 03



# Continue

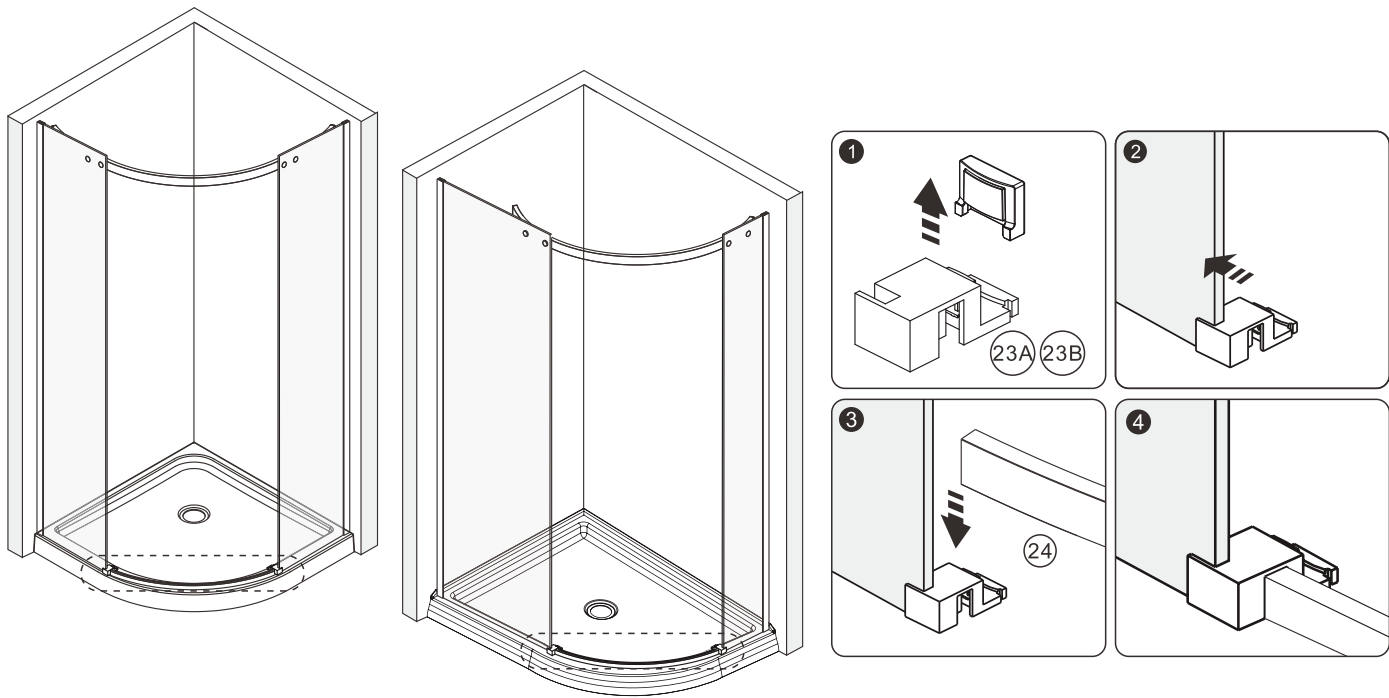
**A** 04





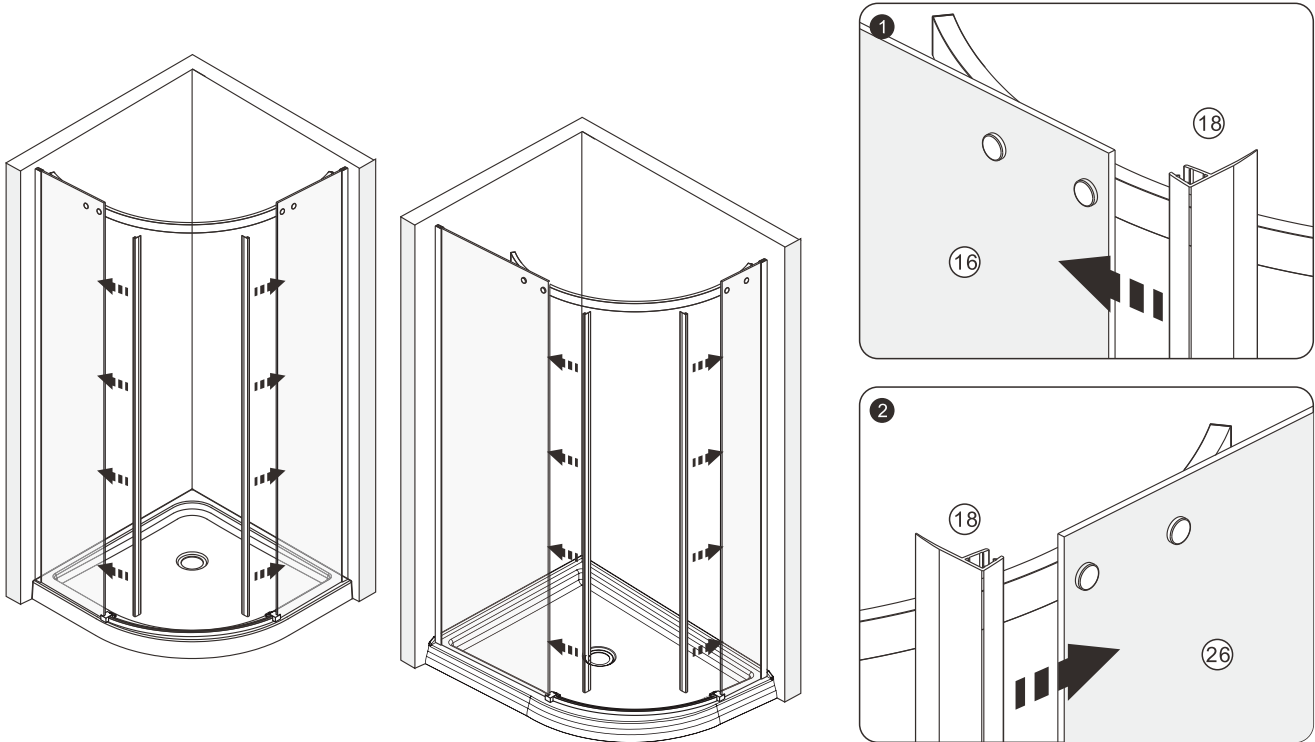
Continue

A 05



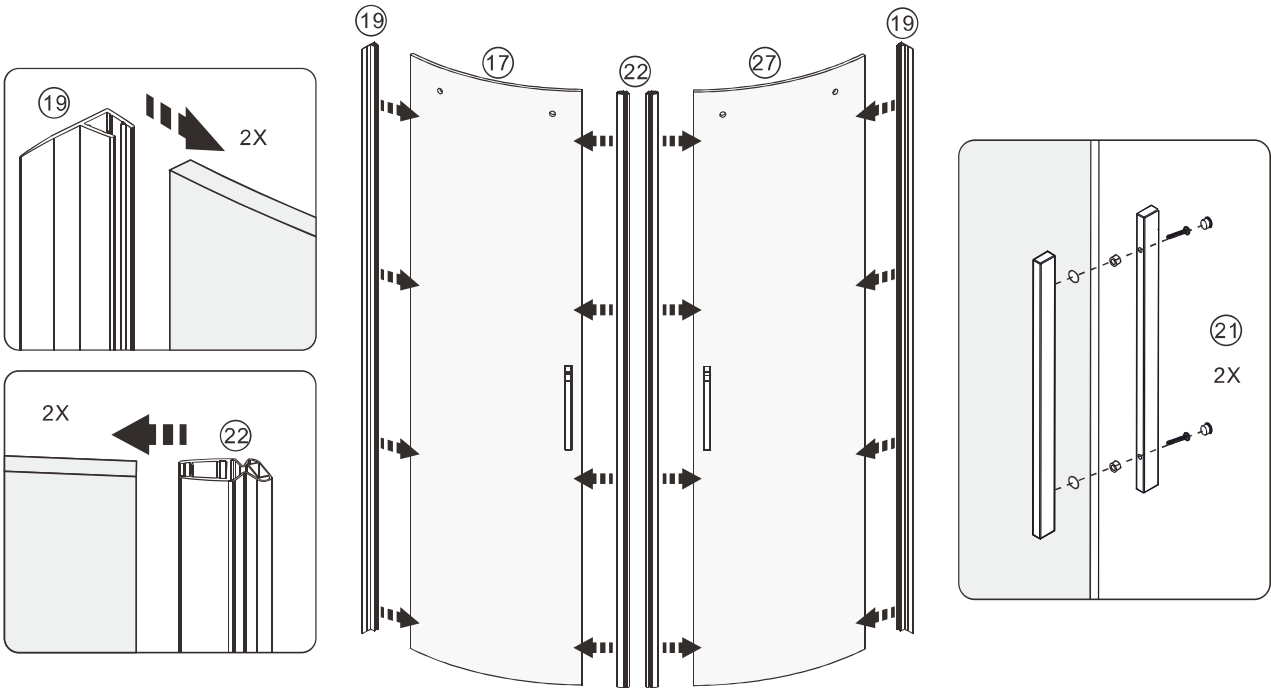
Continue

A 06



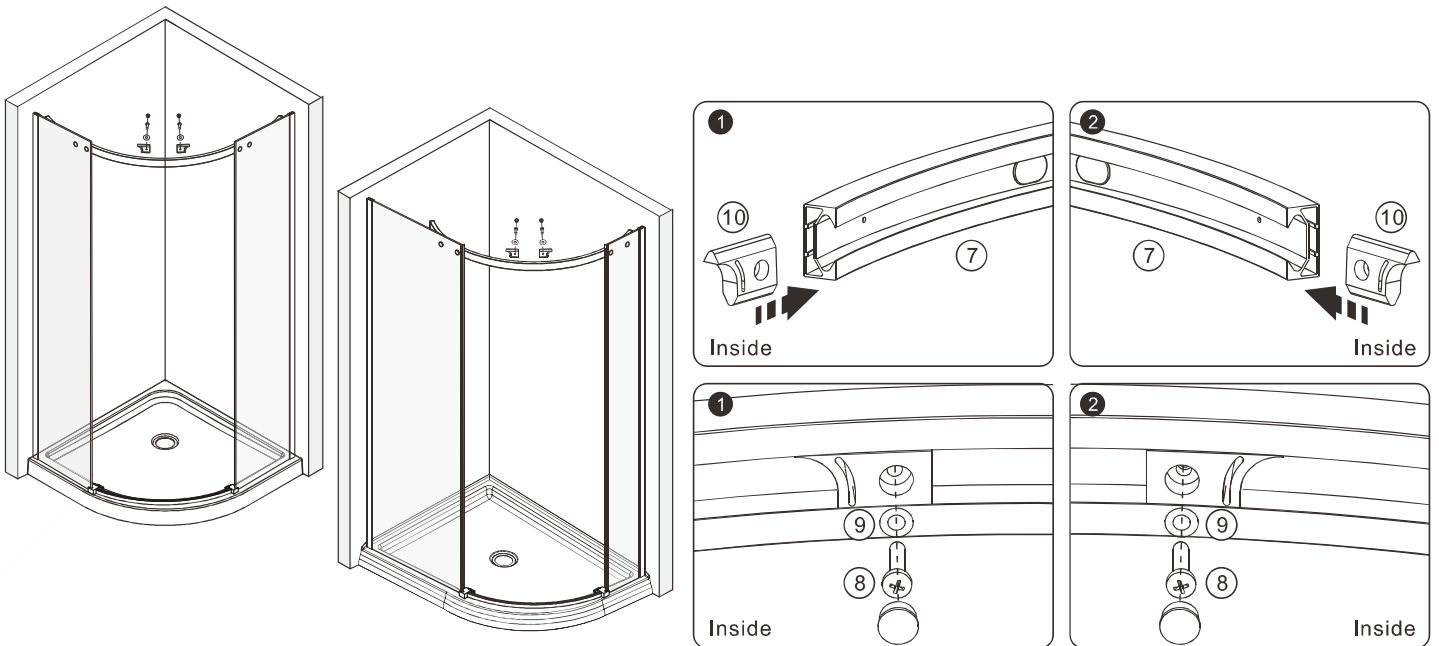
# Continue

**A** 07



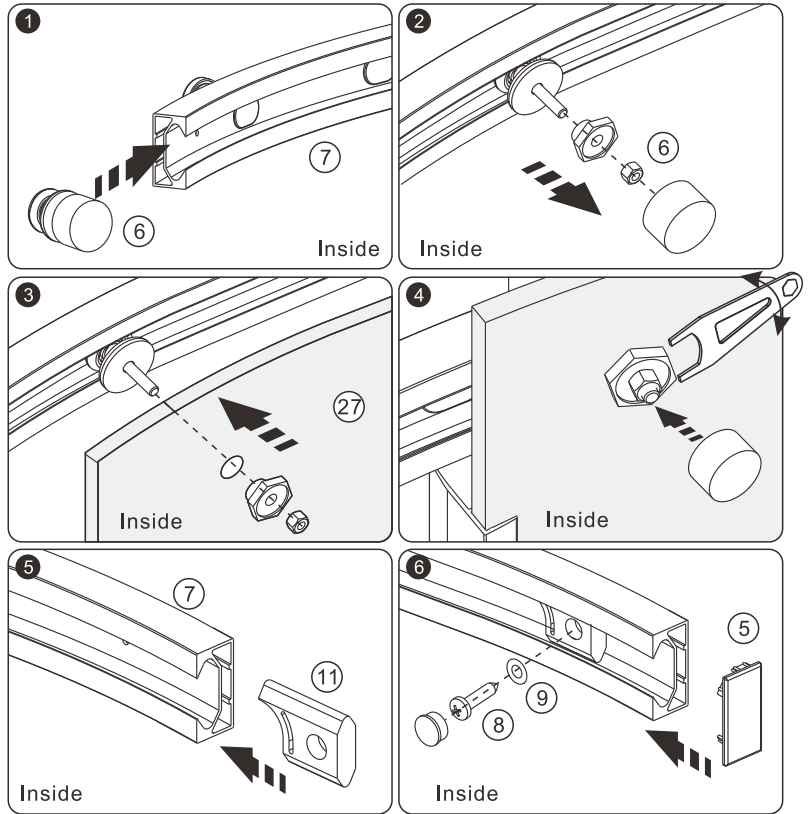
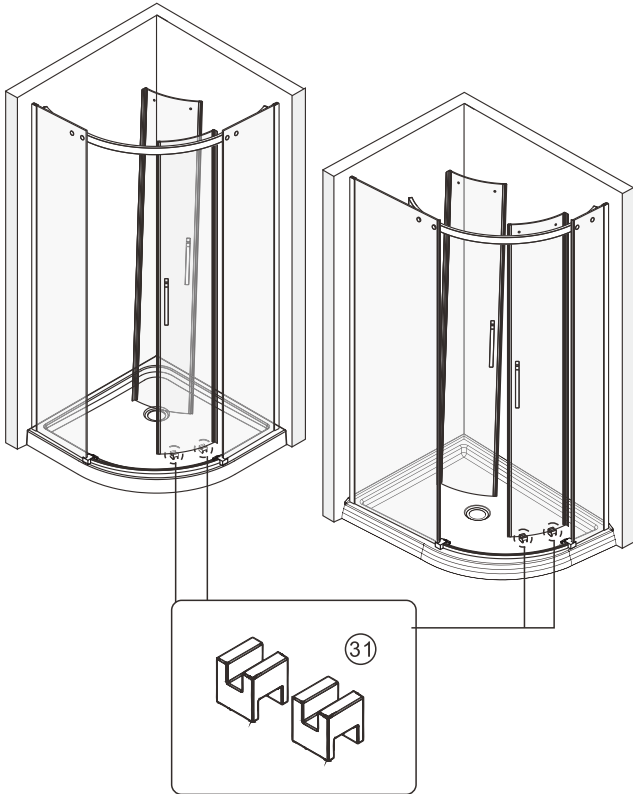
# Continue

**A** 08



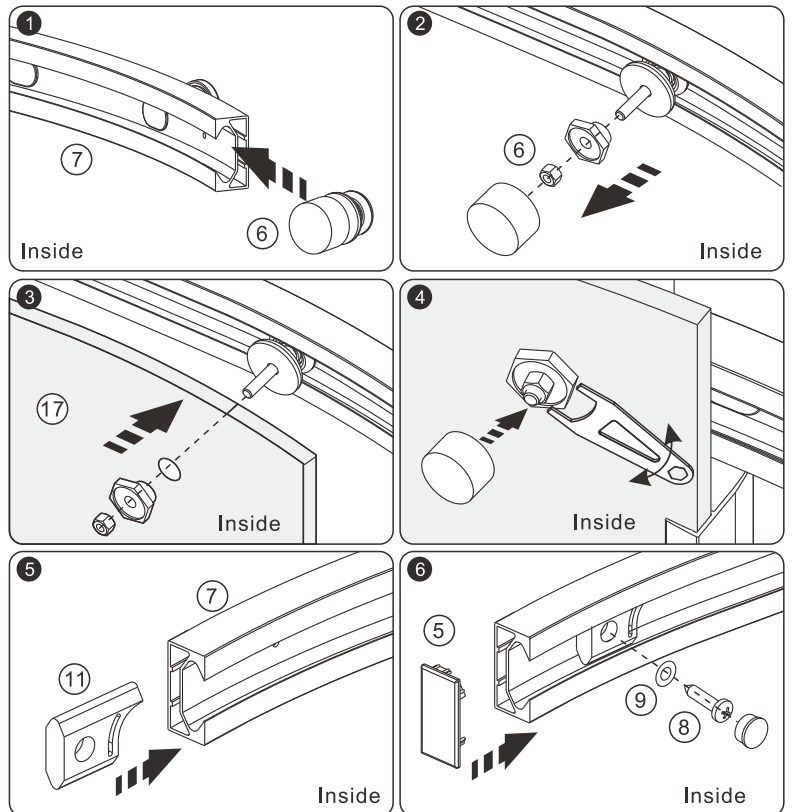
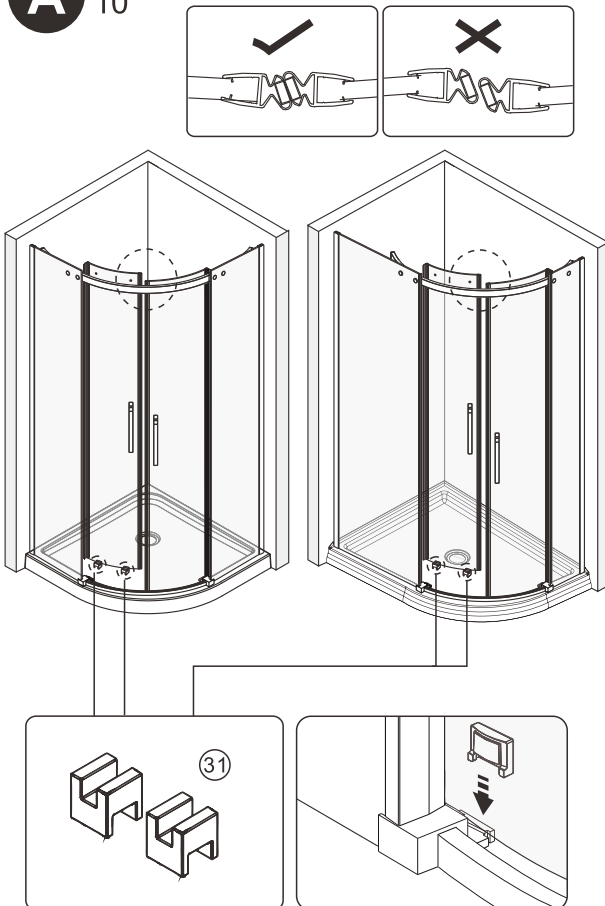
# Continue

**A** 09

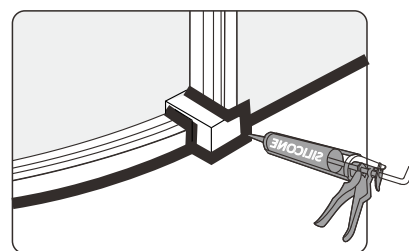
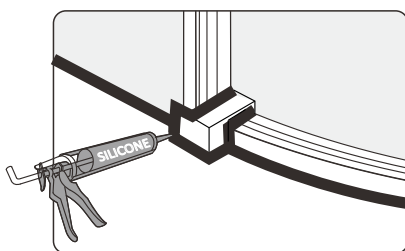
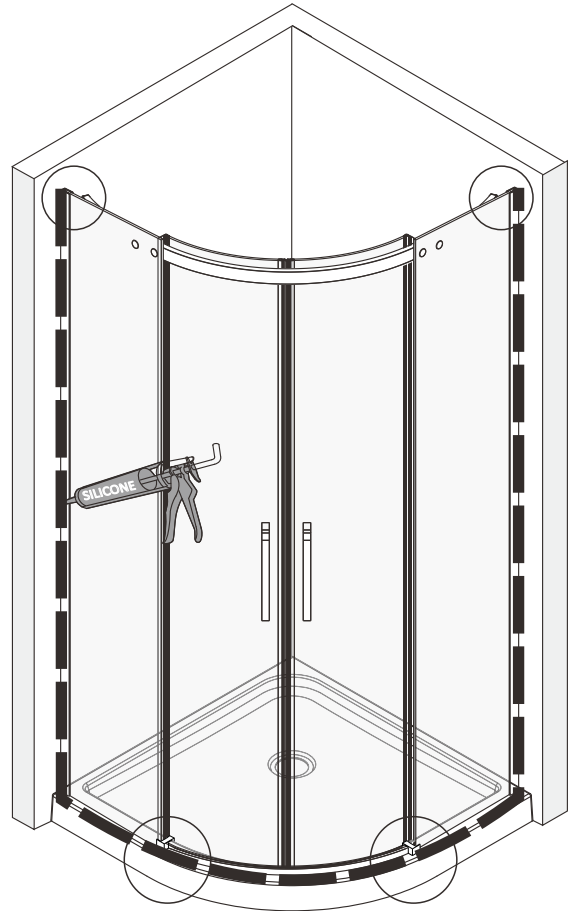
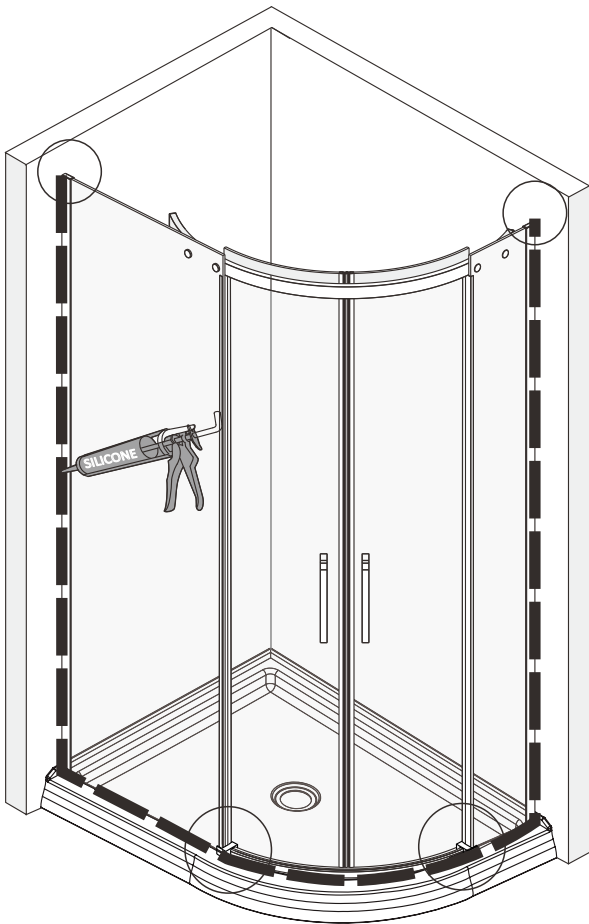
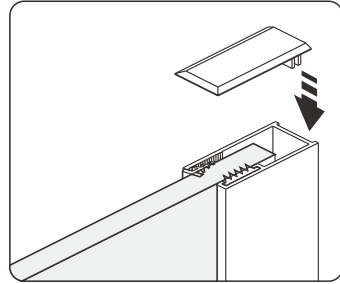
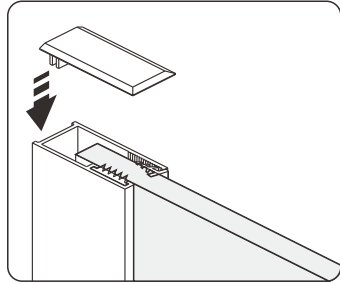
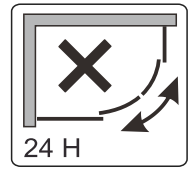
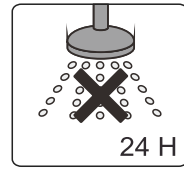


# Continue

**A** 10



A 11



## Maintenance & Cleaning

Use a PH-neutral cleaning agent to maintain and clean the surface of your product. Not to use alkaline, solvent, acid and chloric or scrubbing agents.

To maintain the surface of your product, wipe with a clean damp cloth and wipe dry, do not use any abrasive cleaning agents or materials. If any harsh chemicals come into contact with the surface of the product, rinse and wipe clean immediately.

### ***For more information***

- visit [betterbathrooms.com](http://betterbathrooms.com)
- email [customerservices@buyitdirect.co.uk](mailto:customerservices@buyitdirect.co.uk)
- call 03303903062
- write to Trident Business Park, Neptune Way, Huddersfield, HD2 1UA

**better  
bathrooms** 

Part of the BuyItDirect Group